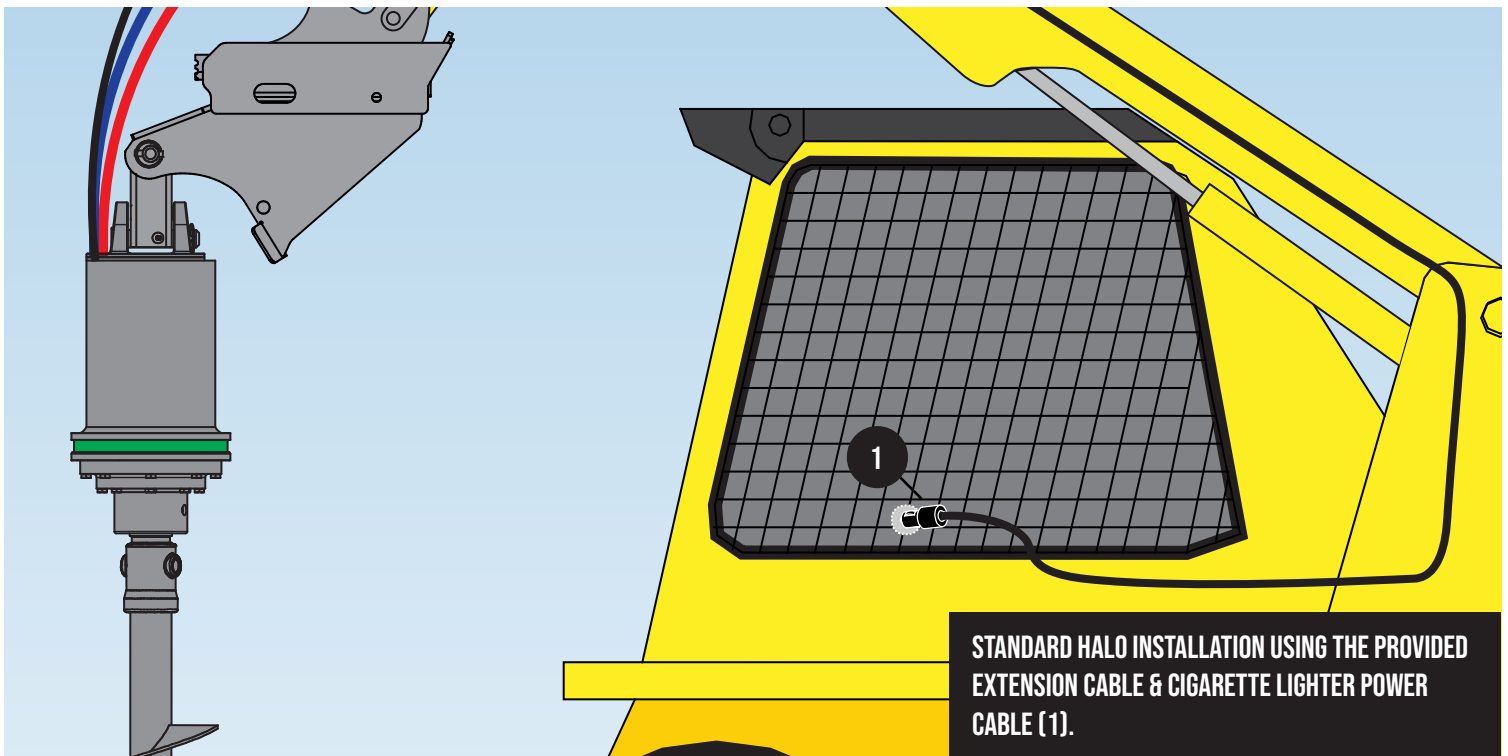


HALO STANDARD KIT INCLUSIONS
DEPENDING ON YOUR MACHINE, AN EXTENSION CABLE MAY BE REQUIRED



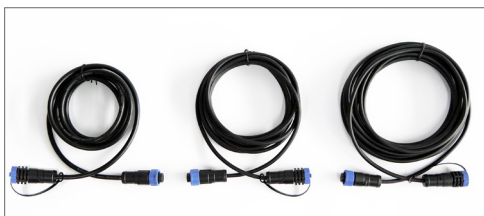
CABLES

10 FT (3M) EXTENSION CABLE
IN-CAB 12V CIGARETTE LIGHTER WITH 8" CABLE



STANDARD HALO INSTALLATION USING THE PROVIDED EXTENSION CABLE & CIGARETTE LIGHTER POWER CABLE (1).

HALO OPTIONAL EXTRAS - CAB POWERED



CABLES

3FT (1M) EXTENSION CABLE
10FT (3M) EXTENSION CABLE
20FT (6M) EXTENSION CABLE

EC-001292
EC-001293
EC-001294

HALO OPTIONAL EXTRAS - BATTERY



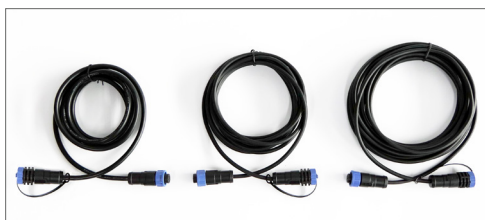
BATTERY KIT

MAGNETIC BATTERY	
3FT (1M) EXTENSION CABLE	EC-001301
240V BATTERY CHARGER	
ADDITIONAL MAGNETIC BATTERY	EC-001288



CHARGERS

USB CHARGER & CABLE	EC-001290
---------------------	-----------

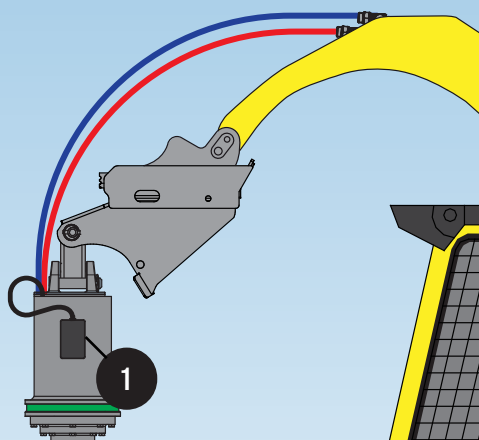


CABLES

3FT (1M) EXTENSION CABLE	EC-001292
10FT (3M) EXTENSION CABLE	EC-001293
20FT (6M) EXTENSION CABLE	EC-001294

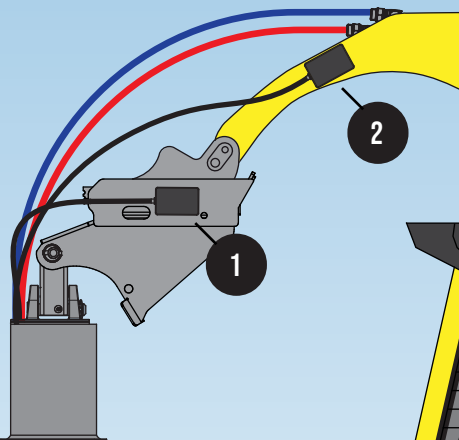
HALO BATTERY MOUNTING OPTIONS

(1) NO EXTENSION CABLES REQUIRED.



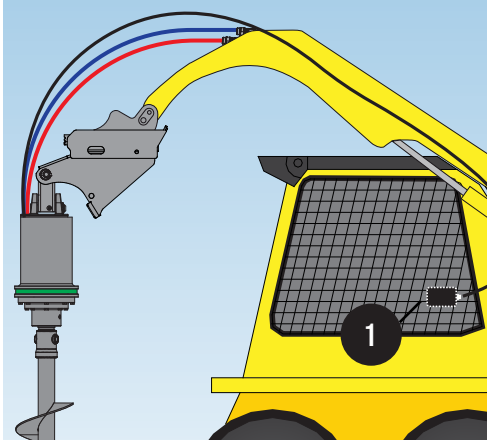
MAGNETIZED BATTERY PACK IS MOUNTED ON THE AUGER HOOD (1).

(1) REQUIRES 3FT (1M) CABLE.
(2) MAY REQUIRE ADDITIONAL CABLES.



MAGNETIZED BATTERY PACK CAN BE MOUNTED ON THE MOUNT (1), OR MACHINE STICK (2).

(1) MAY REQUIRE ADDITIONAL CABLES.



MAGNETIZED BATTERY PACK MAY BE PLACED IN-CAB (1), USING THE INCLUDED 10FT (3M) CABLE TO MAKE USE OF THE 'ZERO-IN' FUNCTION.

US patent application 16/488205, patents pending in other countries